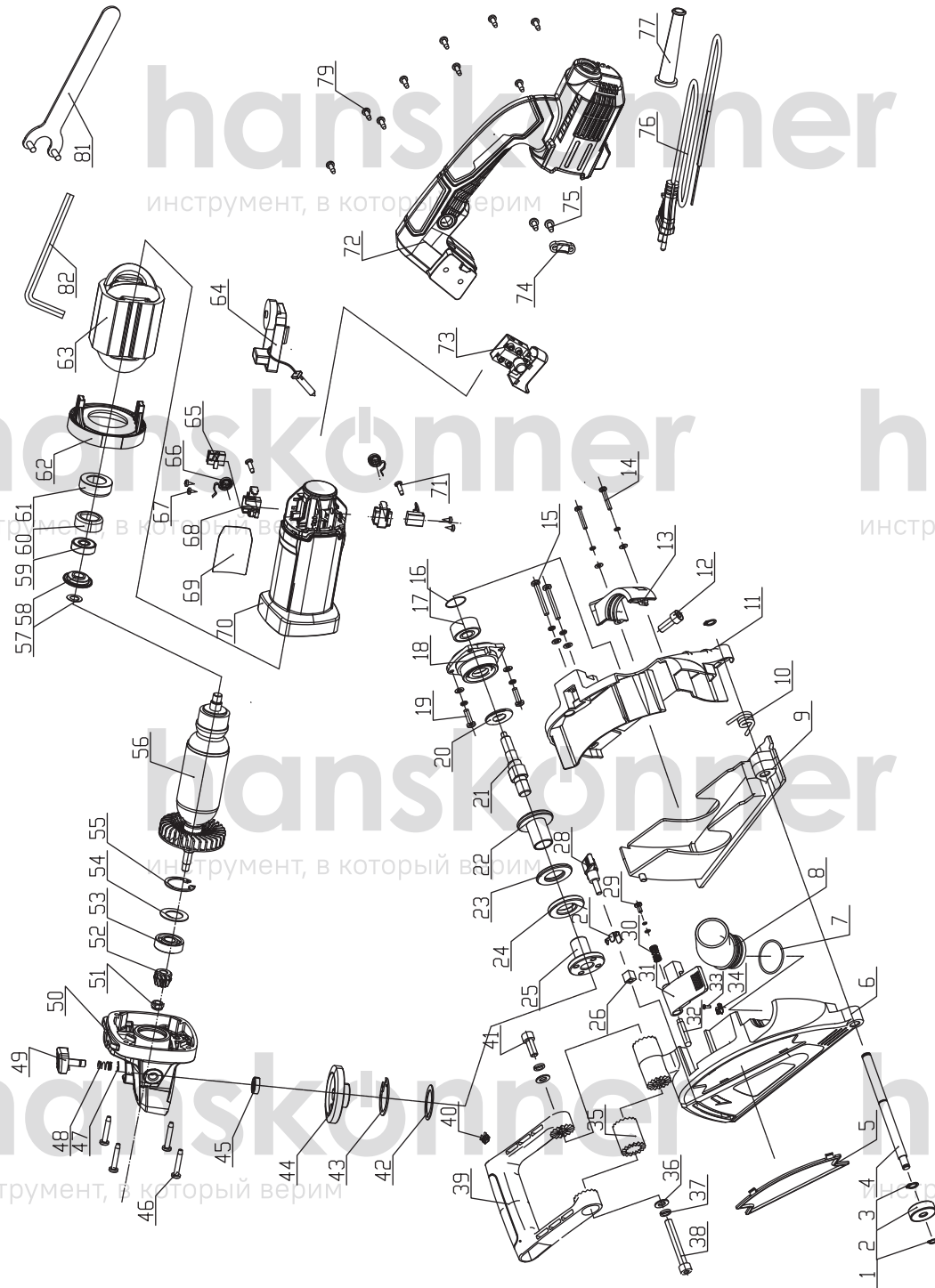


# HAG9125S



No	Description	No	Description
1	Spring washer 8	42	Flat washer Ø32*Ø23*1.2
2	Rolling wheel	43	Spring washer
3	Spring washer 10	44	Super gear
4	Rolling bar	45	Bearing 696
5	Label	46	Screw ST3.9x25
6	Front cover	47	Open washer Ø4.5*0.8
7	O-ring Φ38.5XΦ1.8	48	Spring
8	Dust pipe	49	Spindle lock
9	Inner cover	50	Gearing case
10	Spring	51	Nut M7
11	Back cover	52	Pinion
12	Screw M8x20	53	Bearing 629
13	Dust pipe fastner	54	Flat washer Ø26*Ø16*1.2
14	Screw M4x24	55	Spring washer Ø26
15	Screw M5x40	56	Rotor
16	O-ring Φ50*Φ1.8	57	Washer
17	Bearing 62201	58	Magetic ring Ø32.4*Ø9.9*6.1
18	Gearing cover	59	Bearing 608
19	Screw M4x14	60	Bearing cover
20	Dust cover	61	Bearing seat
21	Spindle	62	Winding loop
22	Bottom Flange	63	Stator
23	Washer Ø41*Ø22.5*4	64	PCB
24	Washer Ø41*Ø22.5*6	65	Carbon brush
25	Upper flange	66	Spring
26	Nut M6	67	Screw ST2.9x12
27	Indicator	68	Brush holder
28	Adjusting Button	69	Rating label
29	Screw M4x10	70	Housing
30	Spring	71	Screw M4x5
31	Locking nut	72	Main handle
32	Pin	73	Switch
33	Screw M3x6	74	Wire platen
34	Limit buckle	75	Screw ST3.9x14
35	Auxiliary handle adaptor	76	Cable
36	Flat washer 8	77	Wire coat
37	Spring washer 8	79	Screw ST3.9x16
38	Screw M8x60	81	Wrench
39	Auxiliary handle	82	Hex Wrench
40	Clip		
41	Screw M8x20		